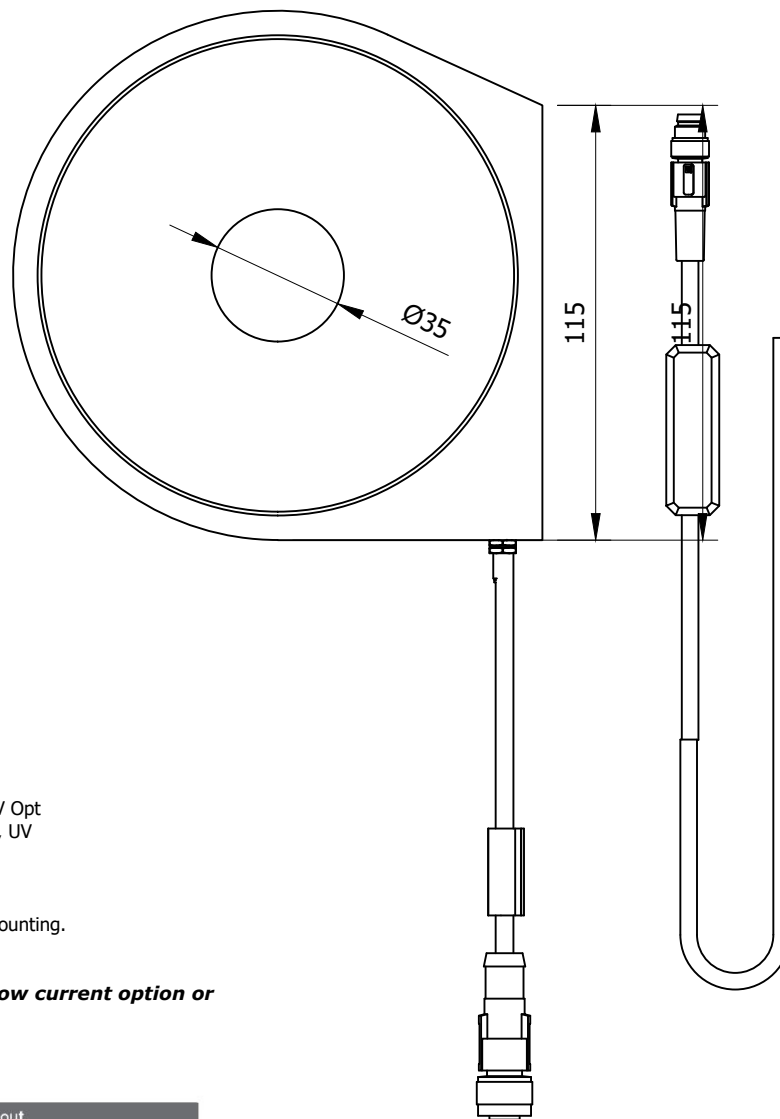
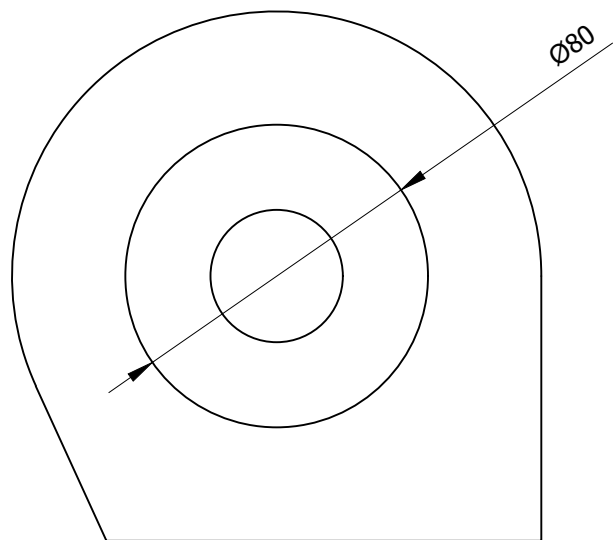
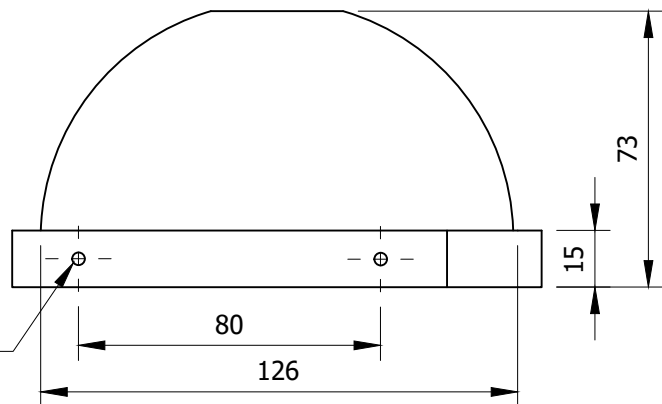


Mounting 2x M4x0.7



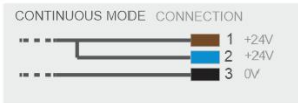
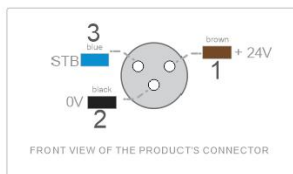
Input Voltage : + 24Vdc
Input Current : 1A , 0.75A
SMPS : 24V , 3A Min
Strobe : 5V ~24V Standard, 1V ~5V Opt
Colors : White, Red, Blue, Green, IR, UV

Diffuser : Medium (Std), Low, High
P-Filter : Option Available
 Additional diffusers, filters may be used by top mounting.
Reccomended SMPS : 24V DC , 5Amp

For Continuous operation please use low current option or contact us.

■ Connection Details

M8/M12 Connector/ Cable Breakout



1000 mA MAX
 This product has to be plugged to a DC Power Supply capable of supplying atleast 1Amp Peak.

Document Type : Product Release	Title : Aurora-100-x	
	Drawing Number : Prod, Aurora-100-0421	
	Rev. No. : 1	Date of Issue : 02-05-2021
	Sheet : 1/1	