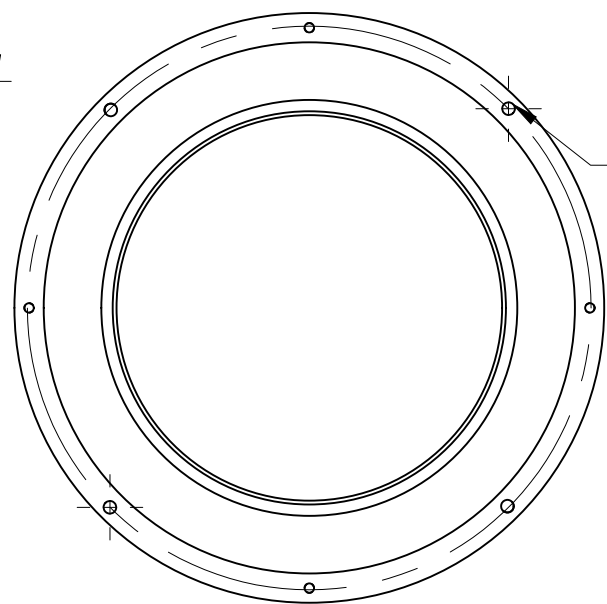


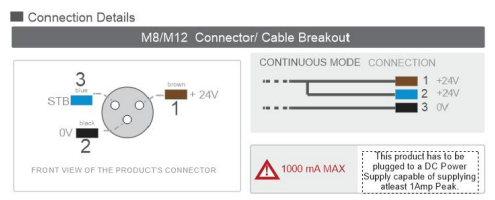
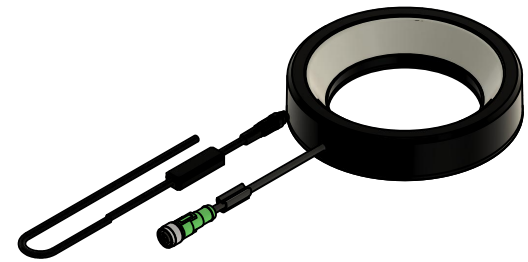
Input Voltage : + 24Vdc
Input Current : 1A , 0.75A
SMPS : 24V , 3A Min
Strobe : 5V ~24V Standard, 1V ~5V Opt
Colors : White, Red, Blue, Green, IR, UV

Diffuser : Medium (Std), Low, High
P-Filter : Option Available
 Additional diffusers, filters may be used by top mounting.
Reccomended SMPS : 24V DC , 5Amp

For Continuous operation please use low current option or contact us.



Mounting Holes
 4 x2x M4x0.7
 On PCD 148mm



Document Type : Product	Title : Helios-150110-LA30		
	Drawing Number : PEPL-Helios-15		
	Rev. No. : 1.0	Date of Issue : 01-05-2021	Sheet : 1/1