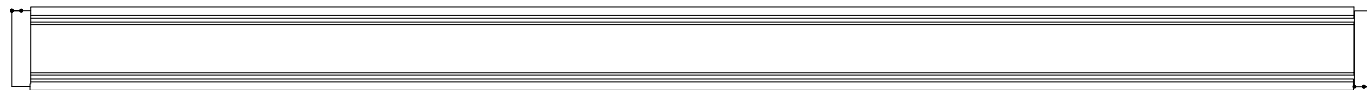
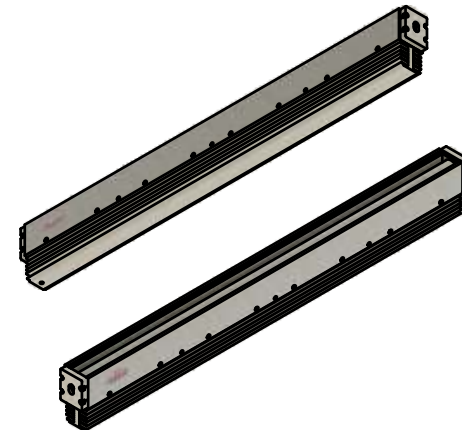



3x Ø5 Mounting Holes



Input Voltage : + 48Vdc
Input Current : 2A
SMPS : 48V , 5A Min
Strobe : Non Strobed
Colors : White

Diffuser : Nil
P-Filter : Nil
 Additional diffusers, filters may be used by top mounting.
Reccomended SMPS : 48V DC , 5Amp



Document Type : Product	Title : Comet-LS-360, Line Scan Bar Light		
	Drawing Number : Prod, Comet-LS360-W		
	Rev. No. : 1.0	Date of Issue : 28-05-2021	Sheet : 1/1